

Sterling Environmental Duct Cleaning

Oak Park, MI (888) 992-1200

How Clean is the Air You Breathe?

Indoor air pollution is a serious health hazard affecting millions of Americans. Researchers claim it contributes to more than half of all illnesses, including sinusitis, allergic rhinitis, asthma and more. A surprising number of contaminant sources thrive in the indoor environment. Common household pollutants include dust, mold, pollen, and insect remains. Air conditioning and heating systems are perfect collection points for airborne pollutants like dust and mold spores. The moist, temperate environment is an ideal habitat for fungi and bacteria to flourish.

Reducing the sources of contaminants that may trigger adverse health reactions is an important part of keeping indoor air clean. Cleaning the air conditioning and heating system will remove allergens like dust and mold from the air distribution system that serves the indoor environment. But doing the job effectively requires the right combination of superior technology and attention to workmanship. That's why you need the experts at Sterling Environmental, Inc.



The Right Investment in Cleaning

At Sterling Environmental, Inc., we just don't clean air ducts -- we restore heating and air conditioning systems to superior cleanliness, including all mechanical equipment and ductwork. Our proprietary methods remove the mold growth and dust accumulations that block critical system components. Nobody cleans better than Sterling Environmental, Inc. Our cleaning procedures are in full compliance with industry standards from the National Air Duct Cleaners Association (NADCA) and the EPA's duct cleaning consumer checklist.

Sterling Environmental, Inc. invests in the best cleaning and inspection equipment available. Powerful HEPA-filtered vacuums allow us to remove dust particles and biological debris without spreading them around your home or office. A wide assortment of rotary brushes and other specialized cleaning tools are used to ensure superior results. Finally, disinfectant is applied to effectively control the growth of microorganisms for up to one year. These state-of-the-art tools allow your duct system to be thoroughly cleaned with little mess, noise or disruption.

Sterling Environmental, Inc. has completed countless successful residential and commercial cleaning projects. We've worked on every type of heating and air conditioning system and have literally removed tons of debris from the indoor environment. When you need thorough, professional duct cleaning services, call on the experience of Sterling Environmental, Inc.

Services

- - Air Duct Cleaning
- - Furnace Cleaning
- - Dryer Vent Cleaning
- - Air Duct Sanitizing
- - Hot Water Tank Cleaning
- - Licensed by the State of Michigan

What we Do

1. Turn off furnace
2. Remove Basement Windows if Necessary
3. Locate And Cut Access Holes
4. Connect 8" To Your Hot And Cold Air Duct System
5. Seal Off All Vents
6. Seal Off Air Filter
7. Blow Down All Hot Air Ducts With High Pressure 250 psi
8. Blow Down All Cold Air Duct With High Pressure 250 psi
9. Clean Main Duct Hot And Cold With Skipper Ball Technology
10. Clean fan Blades (Do Not Remove)
11. Clean Blower Compartment
12. Install And Seal Cover Plats
13. Check Pilot Light
14. Turn Switches Back On
15. Cycle Furnace To Ensure Lighting And Fan Operation
16. Close Any Open Windows
17. Check To See That Dampers Have Not Moved
18. Advise Customer On Equipment Condition
19. Thank The Customer For Their Business

New Service!!!

Dryer Vent & Central Vacuum Cleaning !



Why clean the dryer vent ?

A plugged dryer vent can cause excessive heat build up within the vent itself and the drying appliance, resulting in possible fire.

A dirty vent, however, is only one link in possible chain of events that may include: excessive lint build up inside the dryer, a missing or damaged lint screen, a crushed hose behind the dryer and a failure of thermostat and limit switch in the dryer.

How often do dryer vents need cleaning?

The more efficiently a dryer vent exhausts air, the less lint builds up in it.

Generally, short exhaust better than long ones and full size dryers exhaust better than smaller stack dryers. For obvious reasons, newer dryers may exhaust better than older ones. Vents with multiple turns and elbows are likely to build up more lint. Very short vents attached to full size dryers may rarely need cleaning. Most vents, however, require annual cleaning.

Is vinyl or foil ducting safe?

No. Plastic or foil flexible duct (cheap and easy to install) might seem like just the thing for exhausting a dryer, it isn't. This type of exhaust duct, which resembles a plastic covered slinky toy can pose a serious fire hazard since it is susceptible to heat failure, collapse and generally causes an undue amount of lint to adhere to it's inner surface thereby prone to becoming completely clogged.

Your Air Ducts May Be Contaminated, If . . .



Your vent covers and their surrounding areas look darkened, dusty, stained or corroded;
You frequently suffer allergy and respiratory sicknesses;
The surfaces of tables and furniture get dusty immediately after cleaning;
You use disposable filters as opposed to high-efficiency filters in your central heating and air conditioning system;
Your return air compartment or fan area is dirty;
Your house or office retains musty, unpleasant odors when it's clean.

5 Easy Steps To a Cleaner Indoor Environment

- **Duct cleaning access doors & ports are installed around the furnace and main trunk lines**
- **We hook up a high powered vacuum that will clear your ducts of all debris**
- **We seal off all vent openings, increasing the vacuum's efficiency**
- **Compressed air is blasted down each duct, breaking loose any dirt and debris**
- **The main trunk lines are cleaned out. You can breathe easy again**

**Understanding Your Duct System
See Below**

Understanding Your Duct System

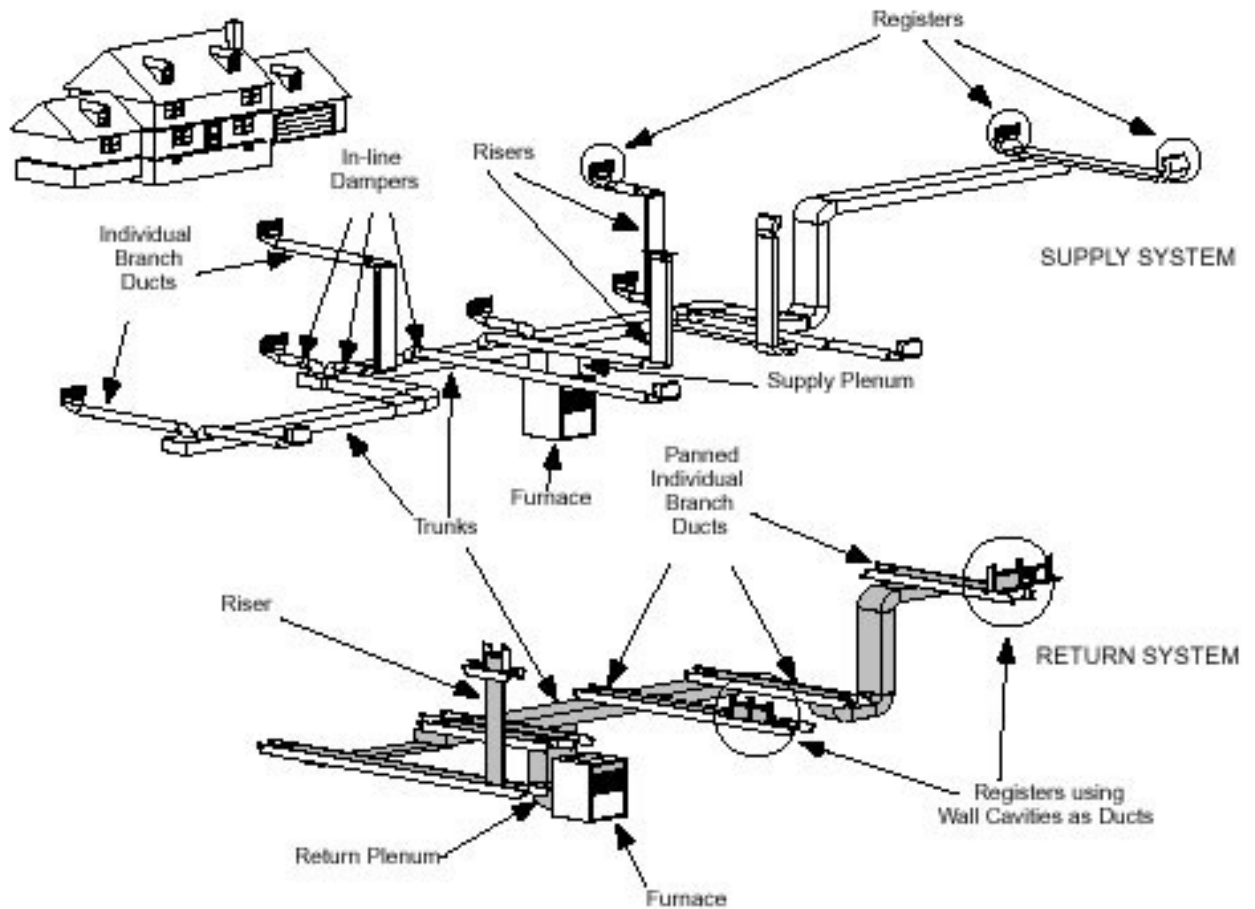


Figure 1. A Common Duct System

Please Call Us – We Try Harder

**Sterling Environmental Duct Cleaning
Oak Park, MI (888) 992-1200**